

Cat. No. 0918000CHR Lockset with Regular Bevel and Box Strike
Cat. No. 0918DP0CHR Lockset with Regular Bevel and Box Strike
Cat. No. 0919000CHR Lockset with Reverse Bevel and Flush Strike
Cat. No. 0919DP0CHR Lockset with Reverse Bevel and Flush Strike

MOUNTING INSTRUCTIONS

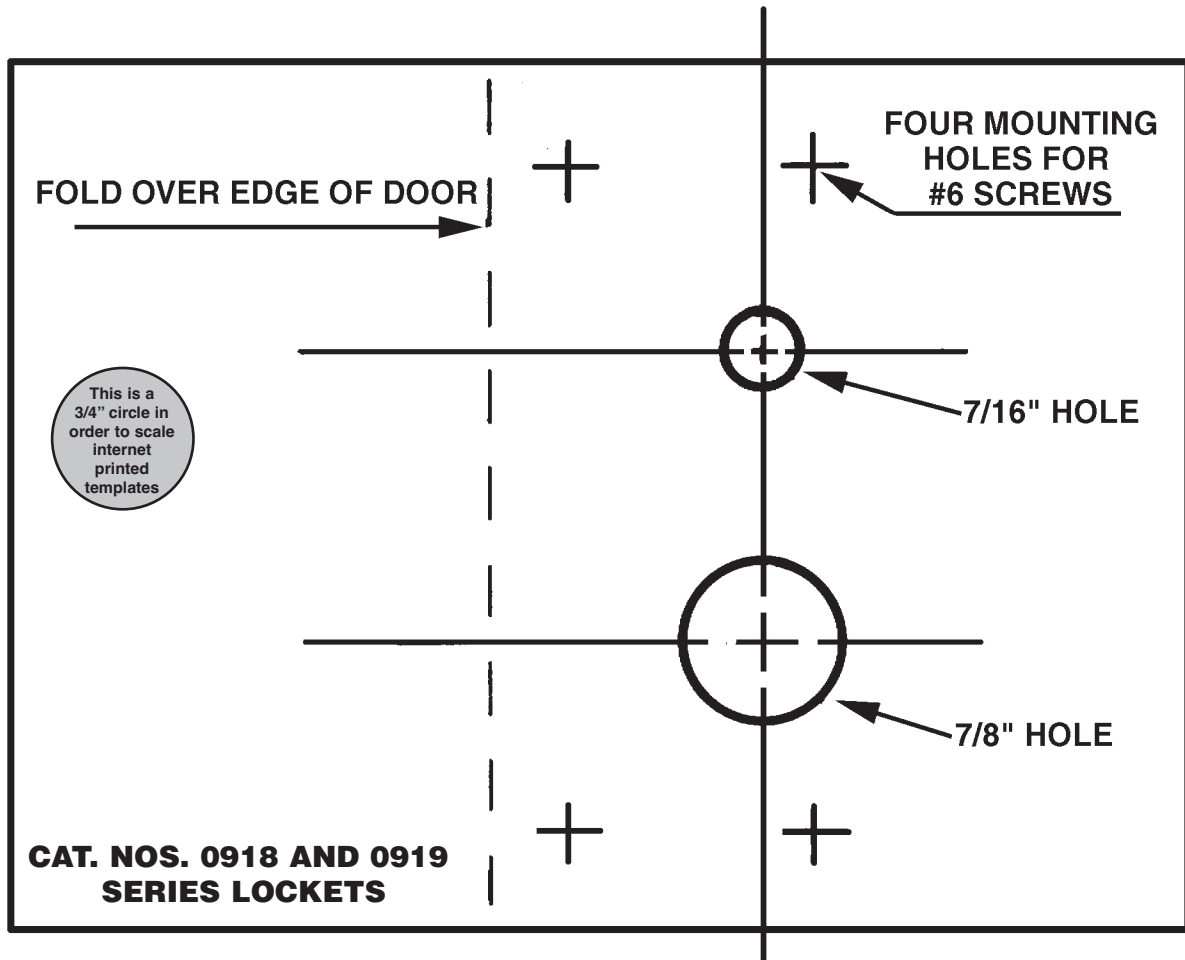
These Rim Lock sets are designed to be mounted on the surface of doors 5/8 inches to 1-3/8 inches thick.

- 1). Cut out template below. Fold on dotted line. Place on door at desired height on the side to have the lock set body. Folded tab should overlap edge. Note that small circle must be above large circle.
- 2). Mark center of circles for drilling.
- 3). Drill holes as shown.
- 4). Insert lever handle with stem through the lock set body. Put stem through the smaller hole drilled in step #3 above, align and fasten lock set body to door with #6 screws (not supplied). Place escutcheon plate over the stem on opposite side of door, align lock stem and fasten with #6 screws (not supplied).
- 5). Thread the knob on stem and tighten set screw on knob.
- 6). Mount strike on door frame.

PERKO, INC.
16490 N.W. 13th. Avenue
Miami, FL. 33164-5707
www.perko.com

8/18
918INS1

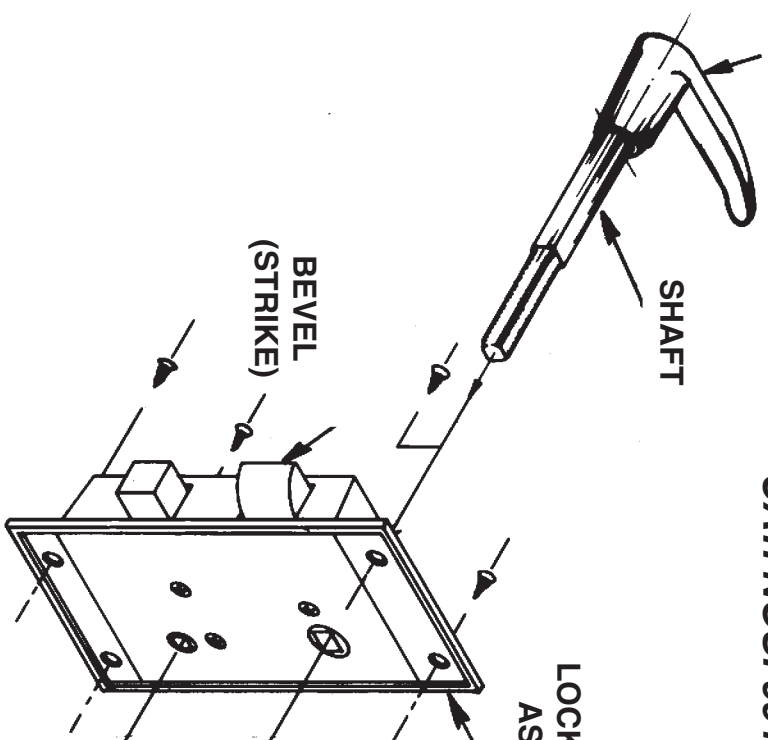
TEMPLATE



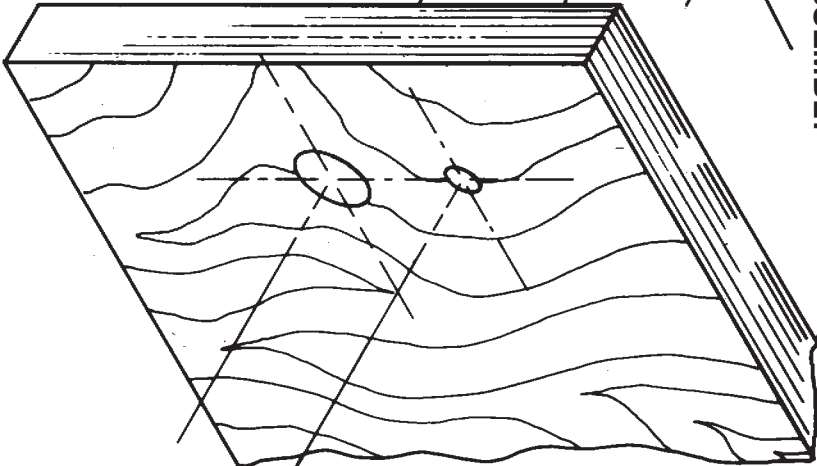
(SEE OVER)

LEVER
"L" HANDLE

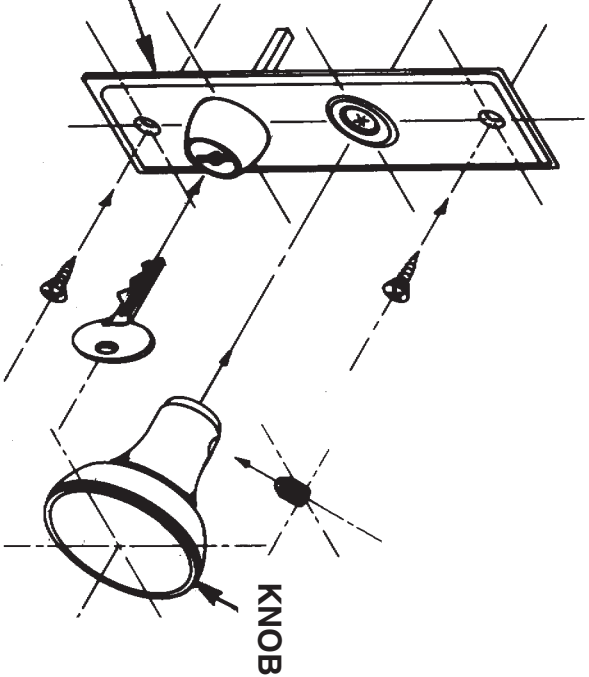
**EXPLODED VIEW
CAT. NOS. 0918 AND 0919 SERIES LOCK SETS**



LOCKSET BODY
ASSEMBLY



ESCUTCHEON
PLATE WITH KEY SET



KNOB

REPLACEMENT PARTS

ITEM	CATALOG NUMBER
KNOB, "L" HANDLE AND SHAFT ASSY.	09622000CHR
ESCUTCHEON PLATE WITH KEY SET	09533000CHR
LOCK SET	
FOR 0918 SERIES	091800088A
FOR 0919 SERIES	091900088A
BODY ASSY.	
FOR 0918 SERIES	091800088A
FOR 0919 SERIES	091900088A
BEVEL WITH CAM (STRIKE)	0920000CHR
BOX STRIKE PLATE FOR 0918 SERIES	091800099A
FLUSH STRIKE PLATE FOR 0919 SERIES	09133000CHR

ALL MOUNTING SCREWS
ARE #6 SIZE
(NOT SUPPLIED)